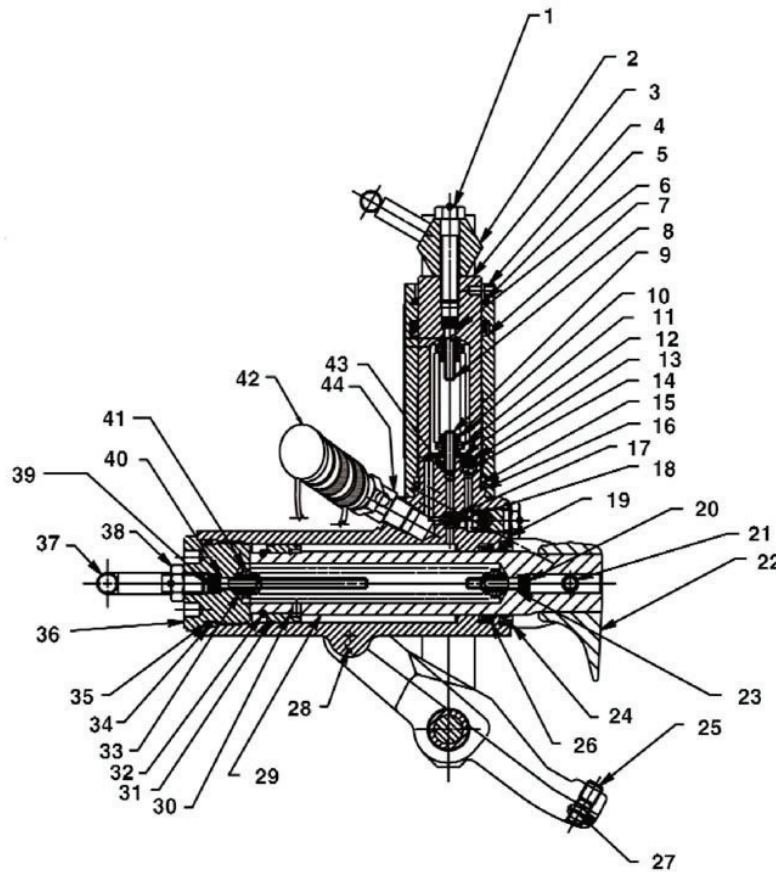




Repair Parts Sheet

Tire Bead Breaker Model 11010

L2768 Rev. A 03/07



Repair Parts List for Model 11010

| Item | Part Number | Qty. | Description | Item | Part Number | Qty. | Description |
|------|-------------|------|--|------|-------------|------|---|
| 1 | 11010 - 001 | 1 | Screw, Hex Hd. Cap (7/16-14 X 2), Torque to 30/40 Ft.Lbs | 22 | 11010 - 022 | 1 | Claw, Machining |
| 2 | 11010 - 002 | 1 | Handle, Strap Pivot | 23 | 11000 - 022 | 1 | Washer, Copper |
| 3 | 11010 - 003 | 1 | Piston, (Single Jaw) | ★24 | 11010 - 024 | 1 | Wiper, Rod (2.00 x 1.50 URE) |
| 4 | 11010 - 004 | 1 | Body, Cylinder (Single Jaw); Torque to 125/140 Ft.Lbs | 25 | 11010 - 025 | 1 | Screw, Set (3/8-16 x 1/2) |
| ★5 | 11010 - 005 | 2 | Rod Wiper | 26 | 11010 - 026 | 1 | U-Cup |
| ★6 | 11000 - 022 | 1 | Washer, Copper | 27 | 11010 - 027 | 1 | Screw, Set (3/8-16 x 3/8) |
| ★7 | 11010 - 007 | 2 | U-Cup | 28 | 11010 - 028 | 1 | Body, Beak Breaker |
| 8 | 11010 - 008 | 1 | Screw, Soc Hd (1/4-20 x 1-1/4), Torque to 90/110 In.Lbs | 29 | 11010 - 029 | 1 | Piston, Cylinder |
| 9 | 11010 - 009 | 1 | Screw, Set (1/4-20 x 1) | 30 | 11010 - 030 | 1 | Ring, Retainer (internal 141 ID) |
| 10 | 11010 - 010 | 1 | Spring, Retainer | 31 | 11010 - 031 | 1 | Bearing |
| 11 | 11010 - 011 | 1 | Spring, (.83 OD x .13 WS) | 32 | 11010 - 032 | 1 | Ring, Retainer (internal 1/31 ID) |
| 12 | 11010 - 012 | 1 | Washer, Special (1.00 x .26) | 33 | 11010 - 033 | 1 | Spring, Retainer |
| 13 | 11010 - 013 | 1 | Spring, (.36 OD x .50 x .05 WS) | ★34 | 11010 - 034 | 1 | O Ring, (2.00 x 1.75) |
| ★14 | 11010 - 014 | 2 | Ball, (1/4 in. Diameter Steel) | 35 | 11010 - 035 | 1 | Washer, Backup (2.00 x 1.75) |
| ★15 | 11010 - 015 | 1 | O Ring, (1.62 x 1.37 Nitrile) | 36 | 11010 - 036 | 1 | Plug, End (Torque to 14/225 Ft.Lbs) |
| ★16 | 11010 - 016 | 1 | Washer, Backup (2.00 x 1.75) | 37 | 11010 - 037 | 1 | Handle |
| ★17 | 11010 - 017 | 1 | Spring, (.32 OD x 1.20 x .08 WS) | 38 | 11010 - 038 | 1 | Nut, Hex Jam (1/2-13) |
| ★18 | 11010 - 018 | 1 | Ball, (1/4" Diameter Steel) | 39 | 11010 - 039 | 1 | Screw, Soc Hd (1/4-20 x 2-1/2, Torque to 90/110 In.Lbs) |
| ★19 | 11010 - 019 | 1 | Washer, Copper (.75 x .60) | 40 | 11000 - 022 | 1 | Washer, Copper (.37x.25) |
| 20 | 11010 - 020 | 1 | Screw, Socket Head (1/4-20 x 1-1/4), Torque to 90/110 In.Lbs | 41 | 11010 - 041 | 1 | Spring, (.83 OD x 5.00 x .13 WS) |
| 21 | 11010 - 021 | 1 | Pin, Roll (.38 x 2.25) | 42 | 11010 - 042 | 1 | Ram Half Cplr/Plastic Dust Cap |
| | | | | 43 | 11010 - 043 | 1 | Ball, (3/16" Diameter Steel) |
| | | | | 44 | 11010 - 044 | 1 | Fitting, Elbow 45° (3/8 NPTF) |

★ Parts are included in Repair Kit 11010RK.

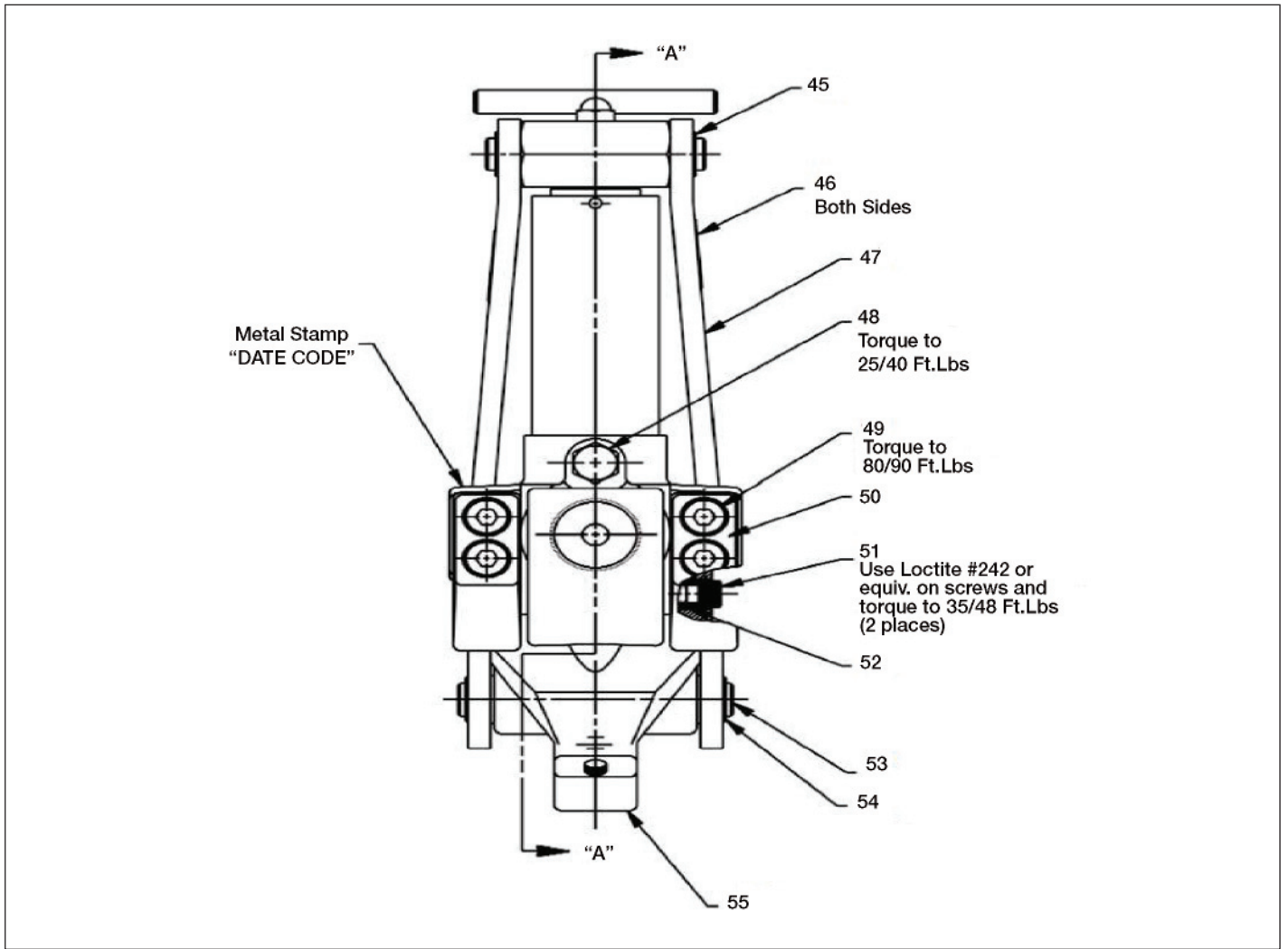


Figure 2, Tire Bead Breaker Assembly for Model No. 11010

| Repair Parts List for Model 11010 | | | |
|-----------------------------------|-------------|------|----------------------------------|
| Item | Part Number | Qty. | Description |
| 45 | 11010 - 045 | 2 | Ring, Retainer External |
| 46 | 11010 - 046 | 2 | Decal, Warning |
| 47 | 11010 - 047 | 2 | Strap |
| 48 | 11010 - 048 | 1 | Screw, Cap (9/16-18 x 1-1/8) |
| 49 | 11010 - 049 | 4 | Screw, Soc. Hd. (1/2-13 x 1-1/4) |
| 50 | 11010 - 050 | 2 | Tooth, Replaceable |
| 51 | 11010 - 051 | 2 | Screw, Soc. Hd. (3/8-16 x 1) |
| 52 | 11010 - 052 | 2 | Spacer |
| 53 | 11010 - 053 | 1 | Pin |
| 54 | 11010 - 045 | 2 | Ring, Retainer External |
| 55 | 11010 - 055 | 1 | Jaw, Single |

AME Intl.
 2324 Circuit Way
 Brooksville, FL 34604
 Phone: 353-799-1111
 Toll Free: 877-755-4263
 Fax: 352-799-1112
 Email: sales@ameintl.net