



Parts List

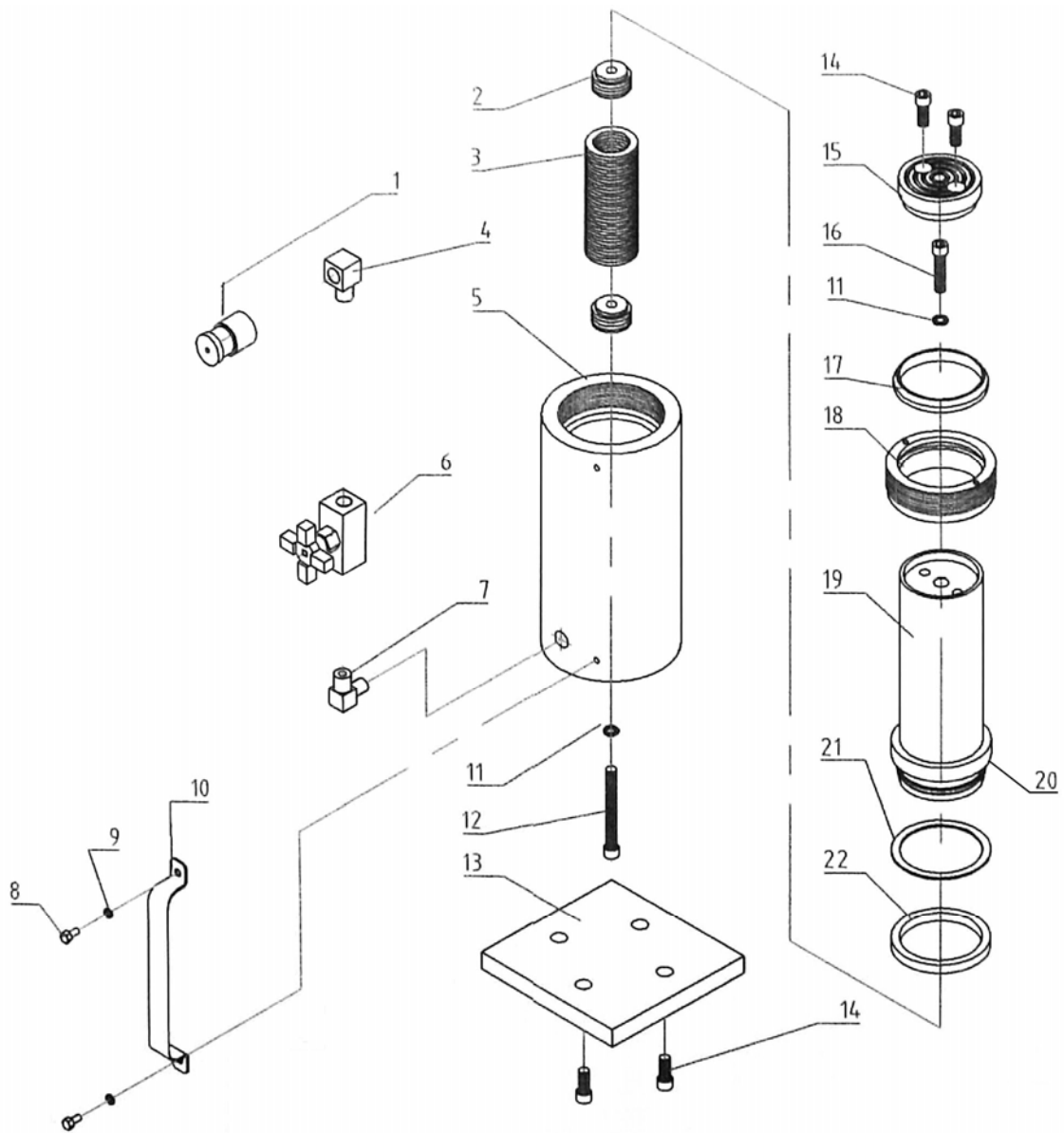
Hydraulic Cylinder

Model 13120

Rev 09/07

MODEL C
SINGLE-ACTING, SPRING RETURN
HYDRAULIC CYLINDER

Max. Capacity: 55.2 Tons at 10,000 PSI



2324 Circuit Way, Brooksville, FL 34604
Phone (352) 799-1111 Toll Free (877)755-4263 Fax (352)799-1112
Email:sales@ameintl.net



Diagram List for Hydraulic Cylinder
Model 13120

Item No.	Part No.	Stock No.	Qty Req'd	Description
1	16060	10606	1	Coupler
2	13120-002	10312-2	2	Spring Retainer
3	13120-003	10312-3	1	Extension Spring
4	13120-004	10312-4	1	Transfer connect
5	13120-004	10312-5	1	Cylinder Body
6	13120-006	9575	1	Needle valve
7	13120-007	10312-7	1	Square Connect
8	13000-011	10005	2	Hex. Hd Cap Screw M*12
9	13000-012	10244	2	Lockwasher
10	13120-010	35903	1	Handle
11	13000-006	*12042	2	Copper Washer
12	13000-009	16110	1	Soc. Hd. Screw 3/8-16* 3.5
13	13120-013	208406	1	Base Plate
14	11010-051	B1069028	6	Machine screw 3/8- 16*3.5
15	13120-015	U962127045	1	Front Plate
16	13120-016	12577	1	Soc. Hd. Screw 3/8 - 16*3/4
17	13120-017	*10312-17	1	Wiper
18	13120-018	10312-18	1	Retainer Nut
19	13120-019	10312-19	1	Piston
20	13120-020	*10312-20	1	Wear Ring
21	13120-021	*10312-21	1	Back-up Ring
22	13120-022	*10312-22	1	U-cup
* INDICATES PARTS FOUND IN KIT 13120RK				